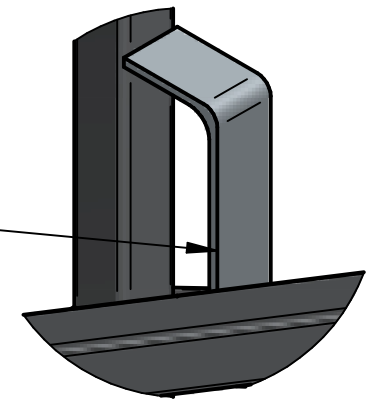


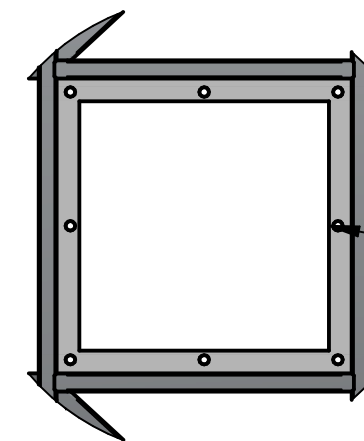
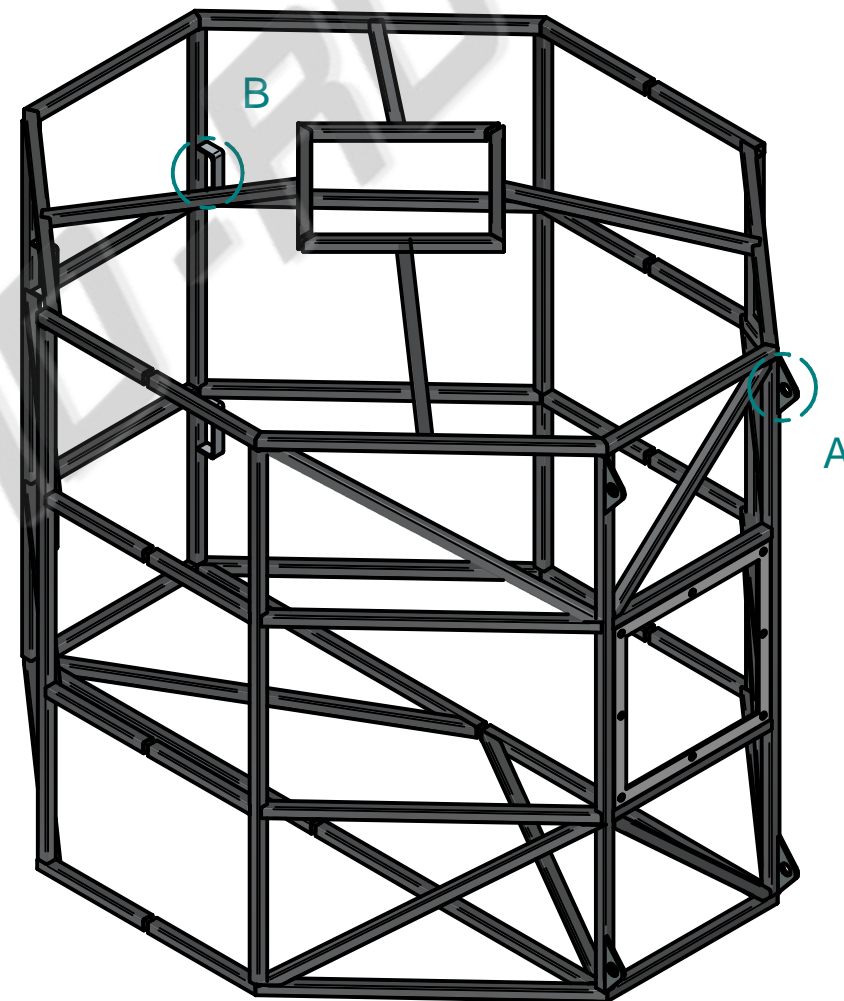
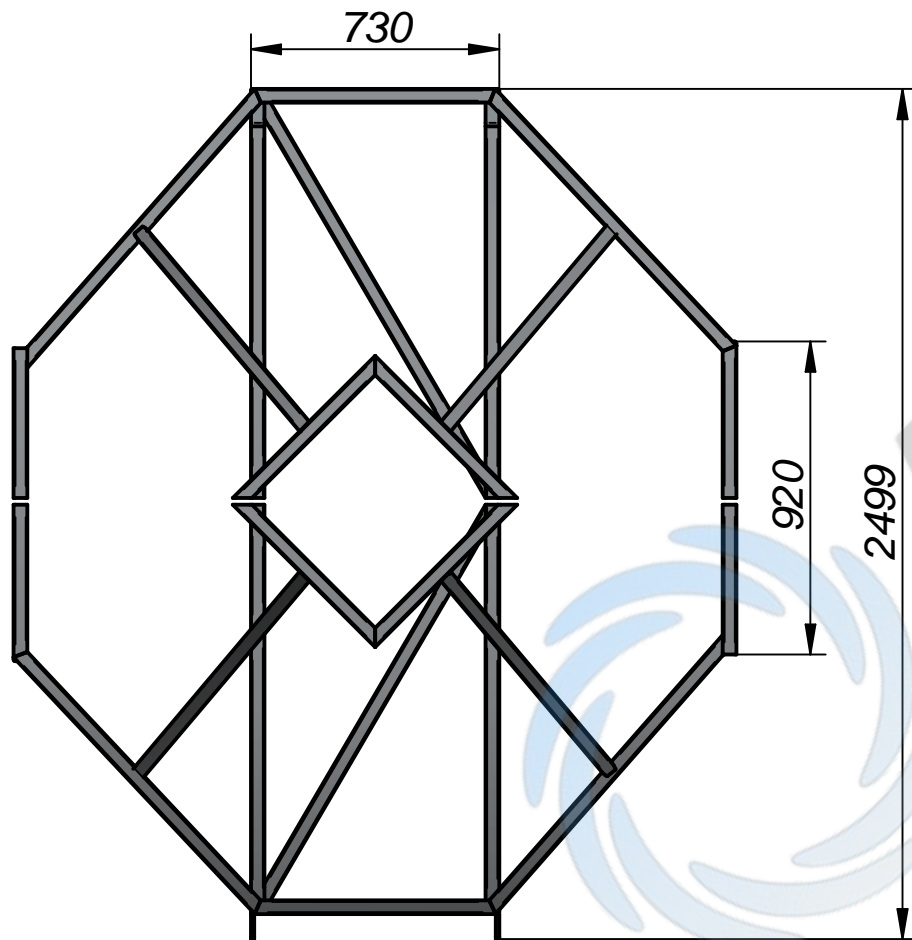
Lifting hook

DETAIL VIEW A



Forklift passage

DETAIL VIEW B



Mold mounting plate

DETAIL VIEW C



Weight: 220.9 kg

5000 Vertical Mold